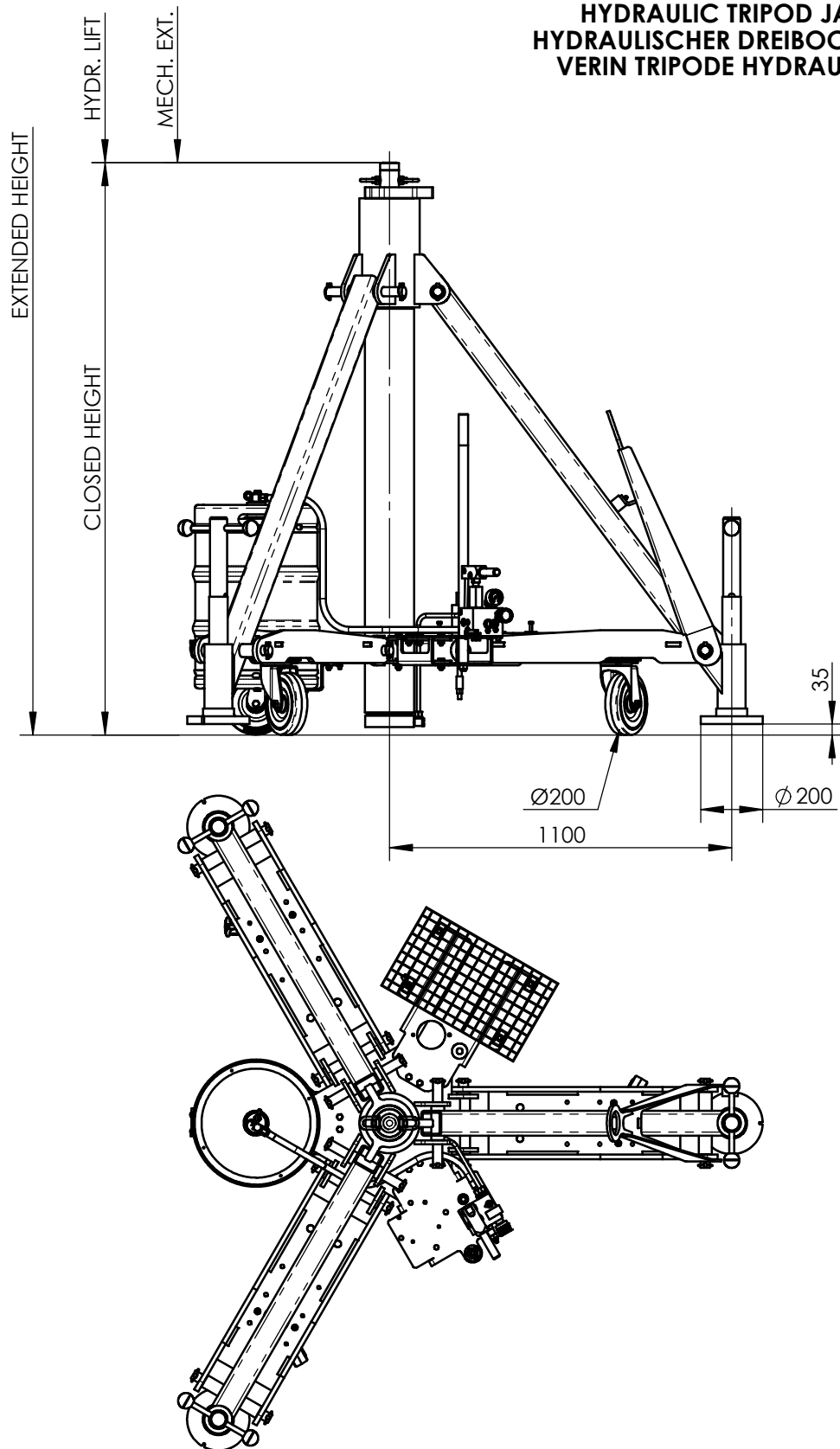


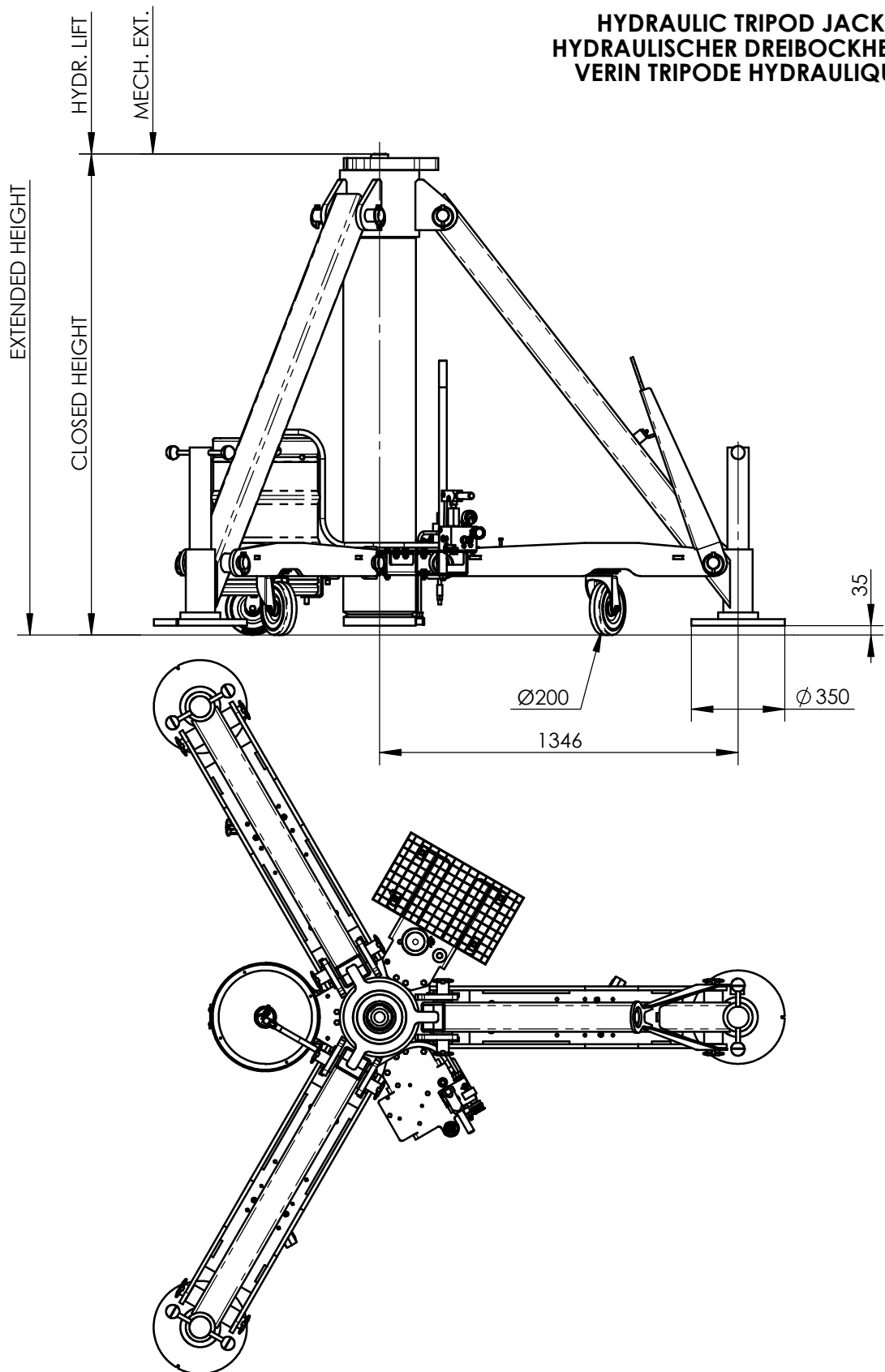
**HYDRAULIC TRIPOD JACK
HYDRAULISCHER DREIBOCKHEBER
VERIN TRIPODE HYDRAULIQUE**



R00

CAPACITY HUBKRAFT CHARGE NOM.		CLOSED HEIGHT BAUHÖHE MIN. HAUTEUR FERMEE		HYDR. LIFT HYDR. HUB COURSE HYDR.		MECH. EXT. MECH. VERLÄNGER. RALLONGE MEC.		EXTENDED HEIGHT BAUHÖHE MAX. HAUTEUR TOTALE		MODEL MODELL REFERENCE
t	ton	mm	inch	mm	inch	mm	inch	mm	inch	
10	11.0	1840	72.4	1420	55.9	380	15.0	3640	143.3	TJSL1E01001

**HYDRAULIC TRIPOD JACK
HYDRAULISCHER DREIBOCKHEBER
VERIN TRIPODE HYDRAULIQUE**



R00

CAPACITY HUBKRAFT CHARGE NOM.		CLOSED HEIGHT BAUHÖHE MIN. HAUTEUR FERMEE		HYDR. LIFT HYDR. HUB COURSE HYDR.		MECH. EXT. MECH. VERLÄNGER. RALLONGE MEC.		EXTENDED HEIGHT BAUHÖHE MAX. HAUTEUR TOTALE		MODEL MODELL REFERENCE
†	ton	mm	inch	mm	inch	mm	inch	mm	inch	
35	38.6	1807	71.1	1370	53.9	1200	47.2	4377	172.3	TJSL1E03501